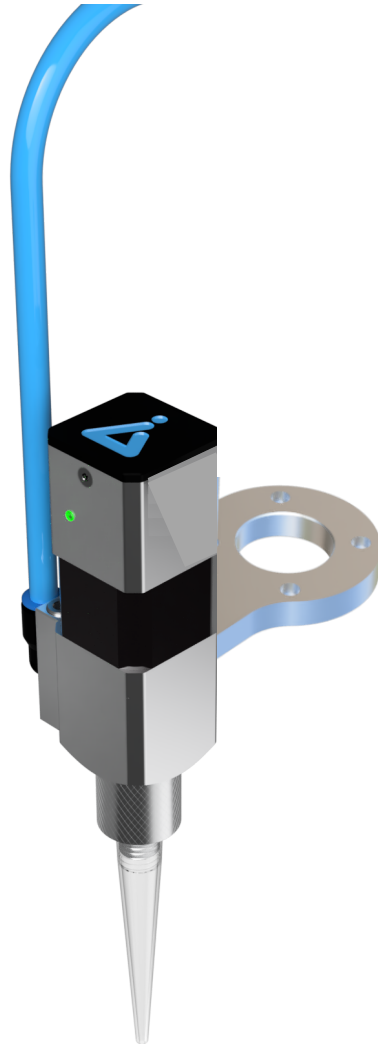


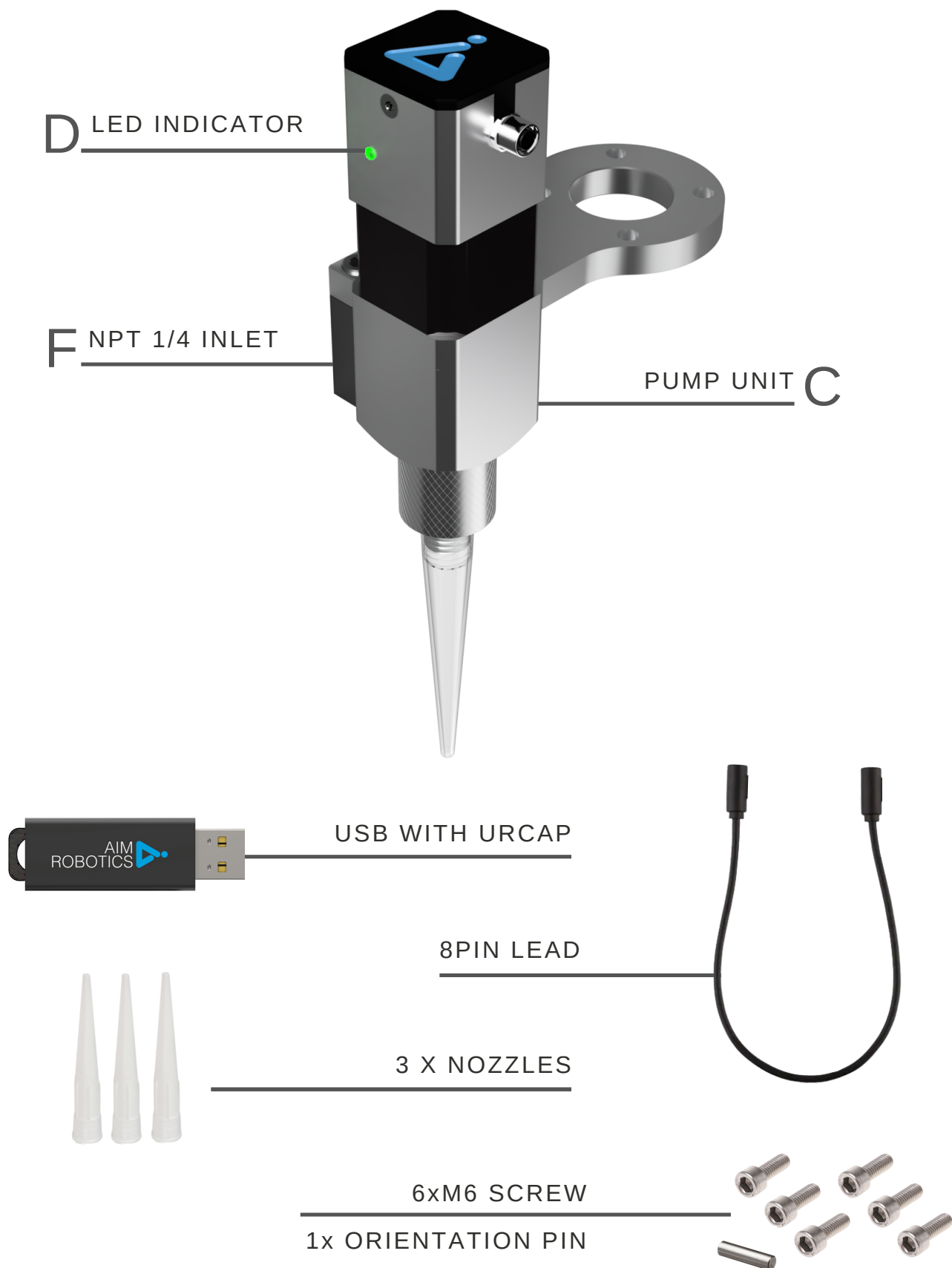
AIM
ROBOTICS  TM
DISPENSING MADE SIMPLE



FDHIGHV

DATA SHEET

WHAT'S IN THE BOX



TECHNICAL DATA

FDhighV FEATURES

- Use with external feeding system
- Recommended for single-component medium to high viscosity fluids, approximate 50.000-100.000.000cps, depending on screw type and feeding system

Model # FDhighV
URCap version ≥ 3.2

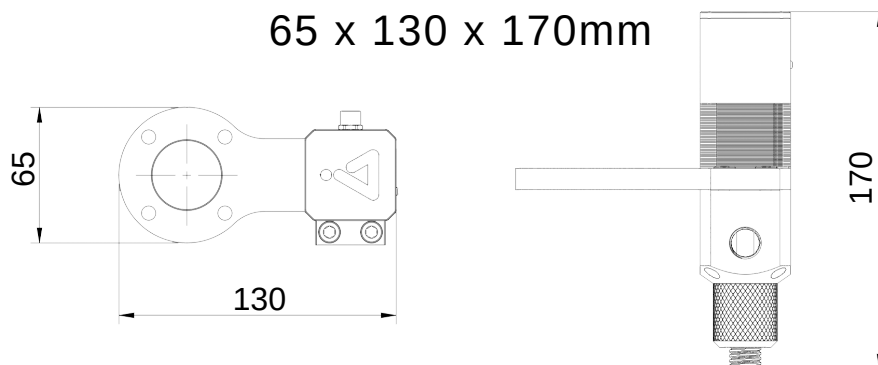
Mechanical interface: ISO 9409-1, type 50-4-M6
NPT 1/4

Electrical interface: 8-pole M8

Digital interfaces: URCap, PolyScope ≥ 5.5
URCap, API ≥ 1.8
RS485
24V I/O

Weight: 0.8kg

Dimensions: 65 x 130 x 170mm



No air

- Accurate dispensing

Easy installation and Setup

- Up and running in 10 minutes
- Specially designed software

Fully integrated with Universal Robots

- Single connection utilizing the M8 8pin connector

AIM ROBOTICS APS
DENMARK

+45 31 51 55 11



AIM-ROBOTICS.COM



SALES@AIM-ROBOTICS.COM

