
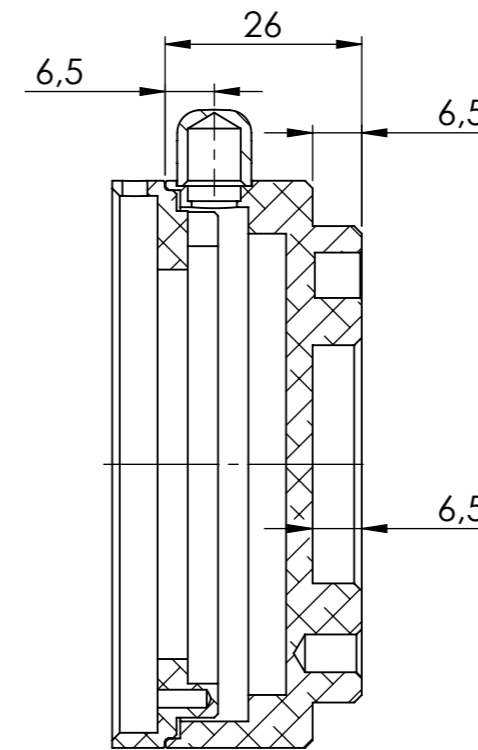
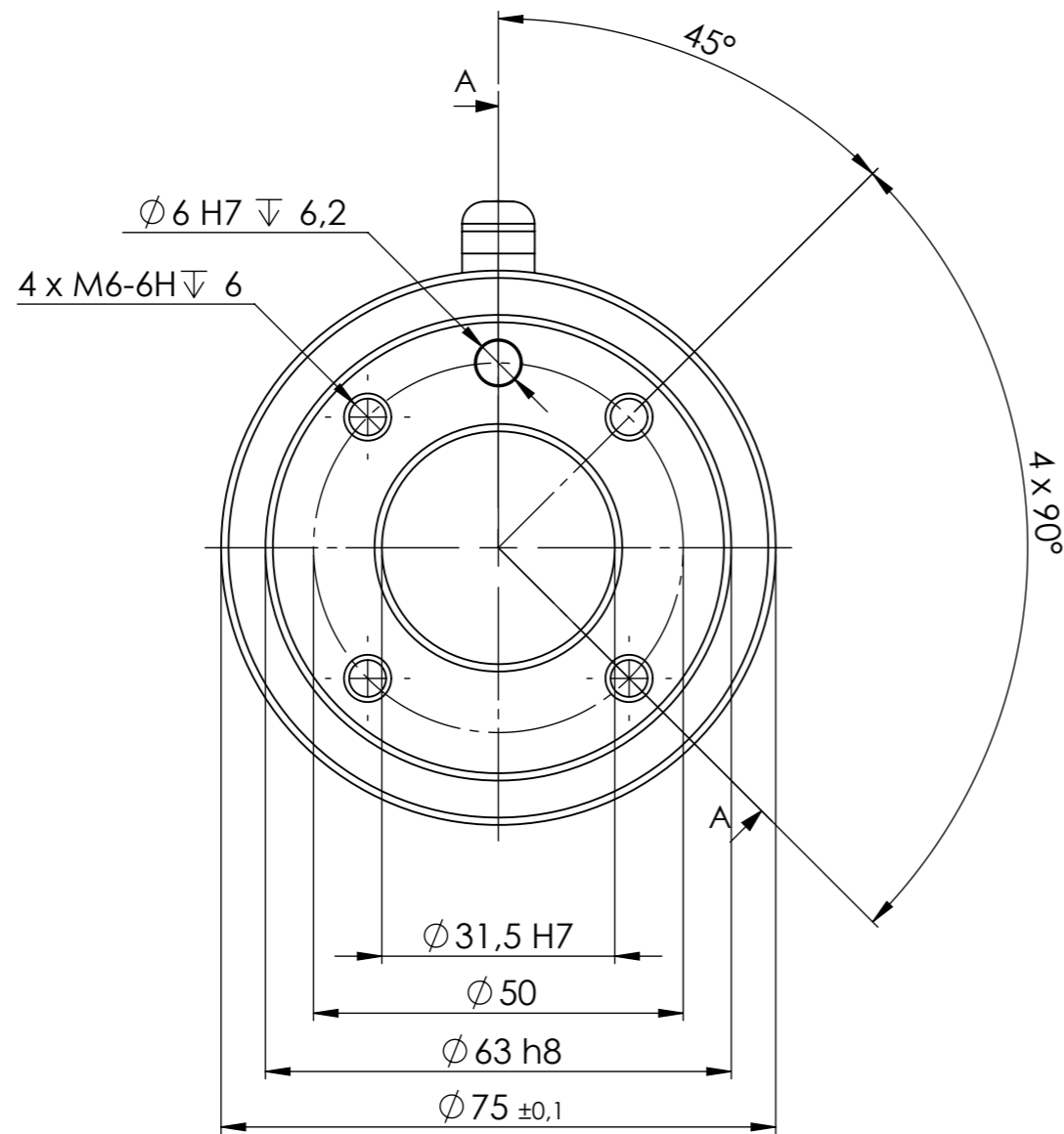


- For public use
- UNLESS OTHERWISE SPECIFIED:
Dimensions are in millimeters
- Dimensions according to ISO 9409-1


**Used from production date: 1/7-2016
instead of no. 922706**

 UNIVERSAL ROBOTS <small>TEL: +45 89 93 89 89 FAX: +45 38 79 89 89 WEB: universal-robots.com</small>		
TITLE: Tool UR 5		
DATE:		
<small>Status change date:</small>		
<small>DWG NO.</small>	922041	<small>REV.</small> 2-0
<small>SCALE:1:1</small>	<small>SHEET 1 OF 3</small>	<small>SIZE A3</small>



- For public use
- UNLESS OTHERWISE SPECIFIED:
Dimensions are in millimeters
- Dimensions according to ISO 9409-1

**Used until production date: 1/7-2016
after that no. 922041 is used.**

 UNIVERSAL ROBOTS <small>TEL: +45 89 93 89 89 FAX: +45 38 79 89 89 WEB: universal-robots.com</small>		
TITLE: Tool UR5		
DATE:		
Status change date:		
DWG NO.	922706	REV. 2-0
SCALE:1:1	SHEET 2 OF 3	SIZE A3