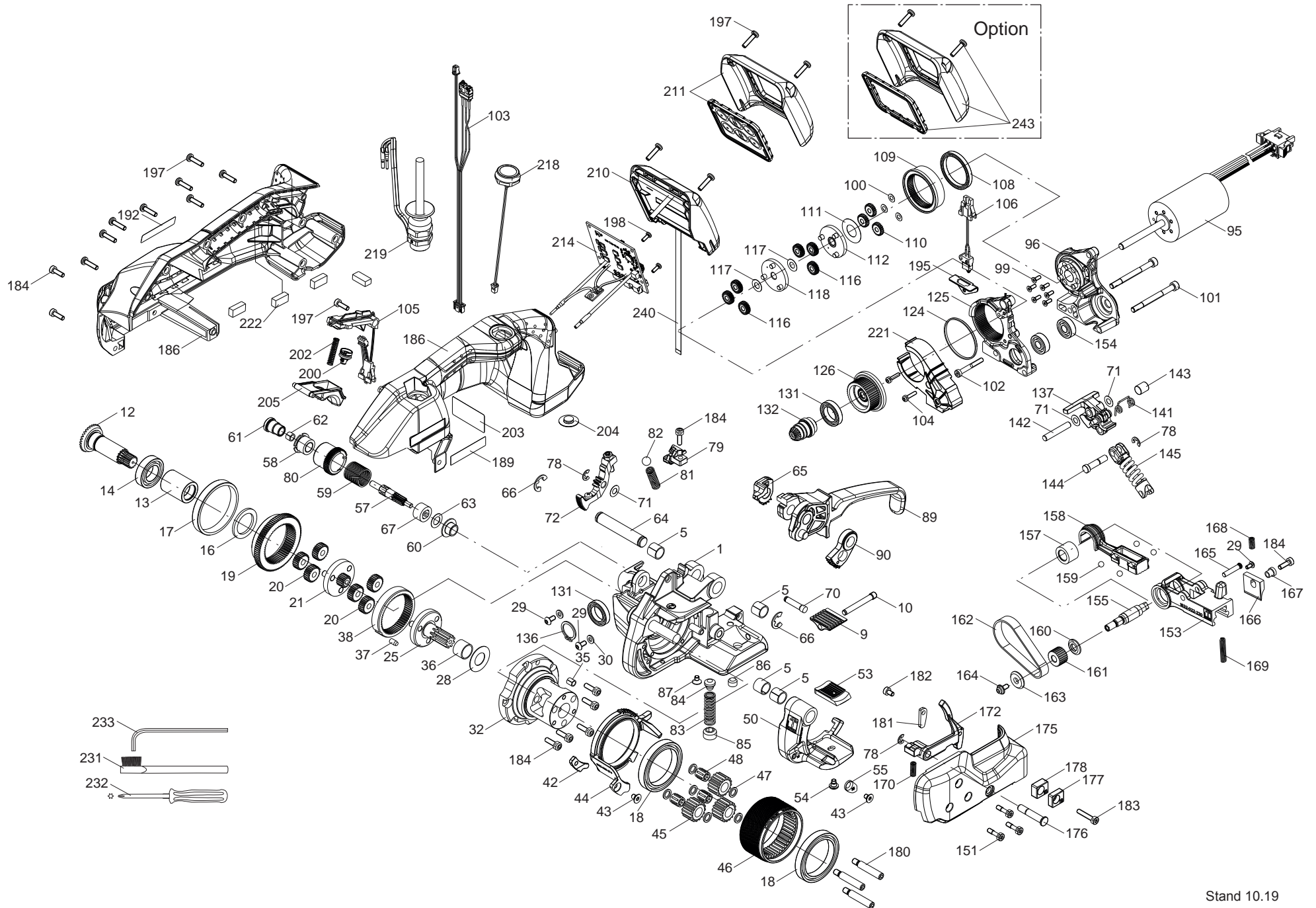


Explosionszeichnung / Exploded drawing / Vue éclatée 745



## Parts list Sealing tool ErgoPack 745E

last update: 29.08.2019

Pos.	Part-No.	Matchcode	Part name	SP Dimension	Quantity
1	115401	1832-011-287	Base plate complete		1
2					
3					
4					
5	115209	1935-510-100	Slide bearing	Ø10/12x10	2
6					
7					
8					
9	115302	1832-022-197	Tooth plate		1
10	115050	1832-022-055	Set screw		1
11					
12	115380	1821-061-035	Bevel wheel with pinion	15/32	1
13	115304	1926-502-140	Drawn cup roller clutch	Ø14/20x26	1
14	115077	1930-190-154	Ball bearing	Ø15/28x7	1
15					
16	115305	1821-020-154	Shim ring	Ø20/28x2	1
17	115306	1821-020-155	Plain bearing bush	45x50x7	1
18	115213	1930-180-356	Ball bearing	Ø35/47x7	2
19	115307	1832-039-221	Gear ring		1
20	115378	1821-060-059	Planet gear		6
21	115449	1832-039-277	Planet carrier cpl.		1
22					
23					
24					
25	115531	1832-039-278	Planet carrier cpl.		1
26					
27					
28	115088	1917-401-125	Spacer disc	Ø12/24x0.5	1
29	115347	1912-804-084	Pan head screw	M4x8	3
30	115348	1917-411-048	Shim ring		2
31					
32	115453	1832-039-290	Flange cpl.		1
33					
34					
35	115216	1935-504-060	Slide bearing	Ø4/5.5x6	1
36	115311	1935-512-100	Slide bearing	Ø12/14x10	1
37	115312	1921-304-081	Cylinder pin	Ø4h6x8	1
38	115313	1821-060-032	Inner gear ring		1
39					
40					
41					
42	115184	1832-031-067	Strap guide front 16mm		1
43	115462	1912-204-064	Counter sunk screw Torx	M4x6	2
44	115448	1832-039-274	Cam disk		1
45	115377	1821-060-058	Planet gear		3
46	115374	1821-047-032	Tension wheel		1
47	115368	1821-020-197	Supporting disk		6
48	115471	1933-406-101	Needle cage	Ø6/9x10	3
49					
50	115429	1832-031-104	Rocker cpl.		1

## Parts list Sealing tool ErgoPack 745E

last update: 29.08.2019

Pos.	Part-No.	Matchcode	Part name	SP Dimension	Quantity
51					
52					
53	115376	1821-048-029	Tooth plate		1
54	115450	1832-039-285	Pan head screw		1
55	115436	1832-031-117	Strap guide front 16mm		1
56					
57	115443	1832-039-263	Clutch shaft		1
58	115445	1832-039-266	Threaded bushing		1
59	115364	1821-012-037	Wrap spring		1
60	115367	1821-020-192	Flanged bushing		1
61	115446	1832-039-267	Bearing bolt		1
62	115472	1935-505-050	Slide bearing	Ø5/7x5	1
63	115470	1917-411-083	Shim ring	Ø8/14x0.3	1
64	115442	1832-039-262	Bolt		1
65	115431	1832-031-108	Blocking lever		1
66	115226	1920-108-102	Retaining ring	Ø8	2
67	115444	1832-039-265	Blocking roller		1
69					
70	115227	1832-022-186	Bolt		1
71	115228	1917-411-052	Shim ring	Ø5/10x0.2	3
72	115440	1832-031-124	Reset lever cpl.		1
73					
74					
75					
76					
77					
78	115136	1920-104-072	Retaining ring	Ø4	3
79	115434	1832-031-115	Support		1
80	115426	1832-022-272	Bushing		1
81	115363	1821-010-154	Compression spring		1
82	115043	1925-010-802	Ball		1
83	115360	1821-010-143	Compression spring		1
84	115371	1821-033-031	Pusher		1
85	115459	1910-412-084	Set screw	M12x8	1
86	115235	1910-408-064	Set screw	M8x6	1
87	115461	1912-204-054	Counter sunk screw Torx	M4x5	1
88					
89	115484	1832-031-125	Rocker lever cpl.		1
90	115452	1832-039-288	Toothed segment		1
91					
92					
93					
94					
95	115387	1821-140-104	Motor		1
96	115424	1832-022-269	Motor support cpl.		1
97					
98					
99	115030	1912-203-086	Counter sunk screw	M3x8	6
100	115239	1917-411-041	Shim ring	Ø4/8x0.1	3
102	115464	1913-204-304	Cylinder head screw	M4x30	1

## Parts list Sealing tool ErgoPack 745E

last update: 29.08.2019

Pos.	Part-No.	Matchcode	Part name	SP Dimension	Quantity
103	115389	1821-151-050	Cable harness rocker lever		1
104	115501	1911-003-104	Cylinder head screw	M3x10	2
105	115484	1821-151-059	Cable harness housing		1
106	115391	1821-151-054	Cable harness welding unit		1
107					
108	115242	1930-170-302	Ball bearing	Ø30/37x4	1
109	115417	1832-022-247	Excentric cam		1
110	115244	1821-060-023	Planet gear		3
111	115245	1917-401-122	Spacer disc	Ø12/24x0.2	1
112	115246	1832-039-203	Planet carrier cpl.		1
113					
114					
115					
116	115247	1821-060-024	Planet gear		6
117	115248	1917-411-062	Shim ring	Ø6/12x0.2	2
118	115249	1832-039-201	Planet carrier cpl.		1
119					
120					
121					
122					
123					
124	115250	1821-020-151	Ring		1
125	115418	1832-022-248	Bearing support		1
126	115441	1832-033-018	Belt pulley assembled		1
127					
128					
129					
130					
131	115253	1930-180-152	Ball bearing		2
132	115381	1821-061-037	Bevel pinion cpl.		1
133					
134					
135					
136	115256	1920-215-102	Retaining ring	Ø15	1
137	115419	1832-022-249	Shift lever cpl.		1
138					
139					
140					
141	115365	1821-012-038	Yoke spring		1
142	115370	1821-031-060	Bolt		1
143	115259	1832-022-163	Bolt		1
144	115372	1821-035-011	Bolt		1
145	115420	1832-022-254	Spring assembly		1
146					
147					
148					
149					
150					
151	115369	1821-027-063	Cylinder head screw Torx	M4	3
152					

## Parts list Sealing tool ErgoPack 745E

last update: 29.08.2019

Pos.	Part-No.	Matchcode	Part name	SP Dimension	Quantity
153	115414	1832-022-231	Swivel bearing		1
154	115266	1930-100-072	Ball bearing	Ø7/19x6	2
155	115416	1832-022-240	Eccentric shaft		1
156					
157	115268	1933-210-120	Needle bearing	Ø10/17x12	1
158	115422	1832-022-258	Welding shoe		1
159	115270	1925-010-502	Ball	Ø5	4
160	115271	1832-022-165	Supporting disk		1
161	115199	1832-022-139	Pinion		1
162	115272	1821-067-011	Toothed belt		1
163	115273	1821-020-147	Washer		1
164	115274	1911-304-084	Cylinder head screw	M4x8	1
165	115427	1832-022-273	Bolt		1
166	115398	1821-209-039	Knife		1
167	115415	1832-022-238	Flanged bushing		1
168	115358	1821-010-141	Compression spring	Ø4.2x0.8x11	1
169	115276	1821-010-020	Compression spring	Ø4.1x0.8x24	1
170	115359	1821-010-142	Compression spring	Ø4.9x0.8x15,5	1
171					
172	115458	1832-042-067	Lever strap guide cpl.		1
173					
174					
175	115410	1832-011-347	Side cover		1
176	115279	1821-035-007	Bearing bolt		1
177	115321	1832-041-021	Strap guide rear 19mm		1
178	115181	1832-041-022	Strap guide rear 16mm		1
179					
180	115454	1832-039-291	Shaft		3
181	115182	1832-042-048	Strap guide rear 16mm		1
182	115465	1913-904-064	Cylinder head screw Torx		1
183	115467	1913-904-204	Cylinder head screw Torx	M4x20	1
184	115466	1913-904-125	Cylinder head screw Torx		10
185					
186	115481	1832-011-390	Housing parts set		1
187					
188					
189	115529	1821-091-103	Type plate		1
190					
191					
192	115287	1821-090-031	Name plate		1
193					
194					
195	115396	1821-163-235	Mounting support connector		1
196					
197	115469	1914-840-162	Pan head PT-screw Torx		11
198	115468	1914-830-088	Pan head PT-screw Torx		2
199					
200	115408	1832-011-329	Actuator		1
201					
202	115362	1821-010-149	Compression spring		1

## Parts list Sealing tool ErgoPack 745E

last update: 29.08.2019

Pos.	Part-No.	Matchcode	Part name	SP Dimension	Quantity
203	115513	1821-091-110	Mandatory sign		1
204	115514	1832-011-433	Protection disk		1
205	115487	1832-011-417	Tension button		1
206					
207					
208					
209					
210	115404	1832-011-317	LCD Operating unit EU/US	incl. Pos.240	1
210	115411	1832-011-357	LCD Operating unit CN	incl. Pos.240	1
211	115412	1832-011-399	Protection cover set		1
212					
213					
214	115530	1821-151-063	Printed circuit board soldered		1
215					
216					
217					
218	115485	1821-151-058	Cable harness welding button		1
219	115479		Spiral Cable		1
220					
221	115423	1832-022-259	Belt cover		1
222	115392	1821-151-056	Cable clamp		4
223					
224					
225					
226					
227					
228					
229					
230					
231	115109	1821-901-004	Wire brush		1
232	115399	1821-901-010	Screwdriver torx T20		1
233	115295	1821-901-007	Offset screwdriver		1
234					
235					
236					
237					
238					
239					
240	115483	1821-163-233	FCC-cable		1
241					
242					
243	115356	2189-011	Protection cover set		
244					